



ARM-R-LITE DOOR MFG. CO. INC.

ARM-R-LITE ARM-R-LON MODEL

ARM-R-LON MODEL

FOR RESIDENTIAL AND COMMERCIAL APPLICATIONS

- Up to 24 Feet Wide
- Superior Quality
- Fast Lead Times
- Nationwide Service

BENEFITS

- Translucent
- Lightweight
- Maintenance Free
- Strong
- Anti-corrosive

APPLICATIONS

- Greenhouses
- Salt Barns
- Nurseries
- Docks/High Moisture Environments
- Chemical Environments
- Boat Houses

FIBERGLASS AND ALUMINUM DOORS



ARM-R-LITE

DOOR MANUFACTURING CO., INC.

2700 Hamilton Boulevard • South Plainfield, New Jersey 07080
Phone: 908-754-2600 • Fax: 908-754-6522 • Toll Free: 800-554-5816
e-mail info@armrlite.com • www.armrlite.com

See specifications on reverse side ►



ARM-R-LITE DOOR MFG. CO. INC.

ARM-R-LITE ARM-R-LON MODEL

SPECIFICATIONS

Stile & Rails:

Doors shall be ARM-R-LITE'S ARM-R-LON MODEL, 1 3/4" thick, with stiles & rails bolted together with four self tapping cap screws per stile and fiberglass panels riveted to frame. Panels to be sealed on all four sides. Overlapping joint at meeting rails. Vinyl astragal at door bottom.

Finish:

All aluminum extrusions to be mill finish. Panels: White 5 oz. x .045 thick fiberglass reinforced polyester resin acrylic modified and UV stabilized.

Counterbalance:

Torsion (or extension) springs, galvanized lift cables, die cast aluminum drums.

Hardware:

Galvanized steel hinges and aluminum roller carrier brackets for accurate section alignment. Full floating ball bearing rollers.

Lock:

Automatic latching or side lock as required.

Track:

ARM-R-TITE 2" galvanized track.

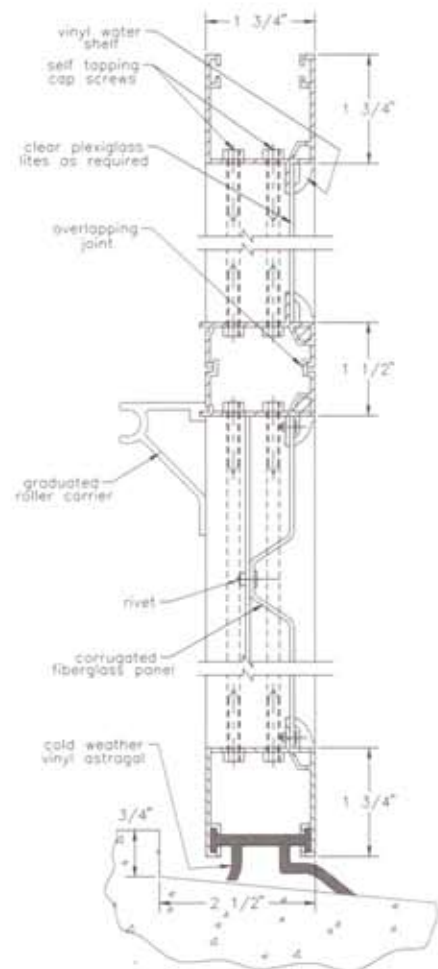
Operation:

Manual or motor operated.

Full View Section:

Glazed with 1/8" plexi is available up to 16 ft. wide. Mill finish aluminum.

CROSS SECTION



PLAN VIEW

