

INSULATED SERVICE FIRE DOORS



Philips Arena - Atlanta, Georgia

Fire Door Rating

The Cookson Insulated Fire Door is used when an opening in a fire wall requires a door that will reduce energy costs as well as serve as a normal fire door. Approved by international testing laboratory Warnock Hersey, Cookson insulated fire doors have a 4 hour, 3 hour, 1 ½ hour and ¾ hour rating and can be mounted on concrete, masonry, structural steel and structural steel and gypsum board walls.

Insulated Door Properties with a STC Rating

The Cookson Insulated Fire Door utilizes mineral wool fire resistant insulation to provide a R value of 4 and a Flame Spread Index of 10 with smoke developed index of 5. Not only does The Cookson Insulated Fire Door reduce energy costs but it also can serve as a sound barrier. The Cookson Insulated Fire Door has an STC rating of 27.

Weather-stripped Perimeter

The Cookson Insulated Fire Door is furnished with brush weather-seals on the guides and lintel as well as a solid flexible Pyroglass astragal to reduce moisture, air, and dust infiltration.

Easiest Fire Door to Reset

The Cookson Company Insulated Fire Door is the easiest fire door to reset. It is available in both the Simple-Test and Auto-Test model. The Simple-Test Door is offered with chain operation and can be reset after automatically closing by one technician in a matter of minutes. The Auto-Test Door does not require any resetting after automatically closing. It resets itself and is always ready for an alarm activation.

Cookson is the Fire Door Specialist

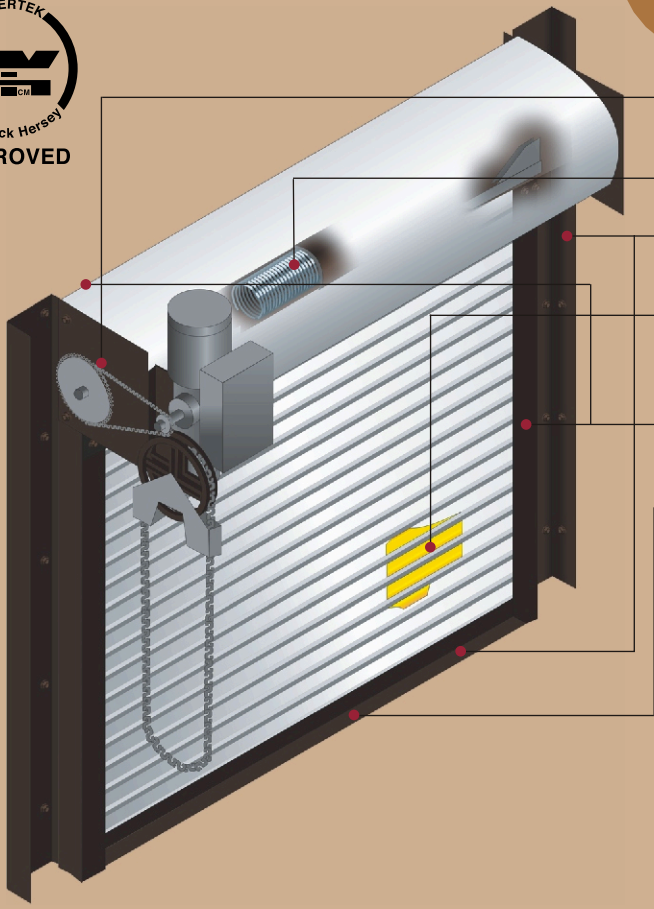
With innovative Fire Door products since 1938 The Cookson Company's Insulated Fire Door provides reliability and durability. Due to simplicity of design, Cookson's Fire Doors offer dependable automatic closings when activated during a test or in an emergency situation. Cookson Fire Doors will last for years, even when tested frequently. Reliable fire doors that last for years makes The Cookson Insulated Fire Door the best value available.



Dimensions shown are for initial design. For final design, specifications, and to view the complete Cookson Product line, visit cooksondoor.com

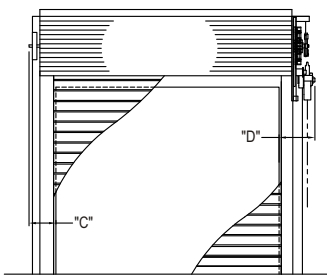
THE PREFERRED

INSULATED ROLLING FIRE DOOR

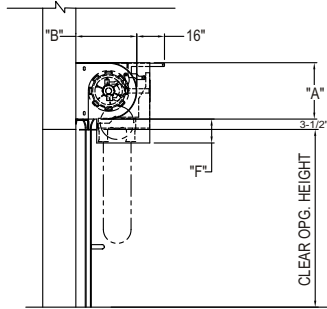


- Lifetime warranted Whisper Governor controls automatic closing speed of door to a range of 6" to 24" per second
 - Oil tempered torsion springs designed for 50,000 life cycles
 - Structural angle guides and bottom bar make door less vulnerable to damage that could prevent the door from fully closing
 - Exclusive interlocking slats provide energy efficiency and a finished appearance inside and out. Mineral Wool fire resistant insulation provides a R value of 4, Flame Spread Index of 10 and a STC rating of 27.
 - Heavy duty brush weather-strip on the guides and lintel reduce air and dust infiltration.
 - The bottom of the door is sealed by a flexible, solid Pyroglass astragal.
- Approved sizes
 Labeled doors up to 163 square feet not exceeding 13'6" wide or 12' high
 Oversize labels furnished on larger doors not exceeding 24' 0" or 16' 4" high
- Available for 4 hour, 3 hour, 1-1/2 hour and 3/4 hour ratings
- Approved for all wall types (concrete, masonry, structural steel, structural steel with gypsum board)
- FinalCote Finish Standard
- Available in 180 standard ColorCote Colors (Optional)

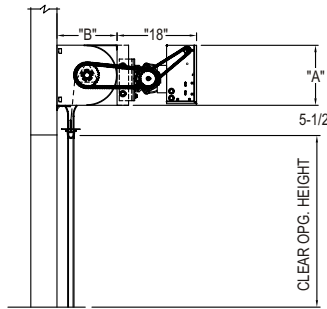
TYPICAL DETAILS



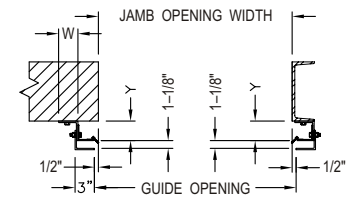
INSULATED FIRE DOOR ELEVATION



SIMPLE-TEST CHAIN OPERATED

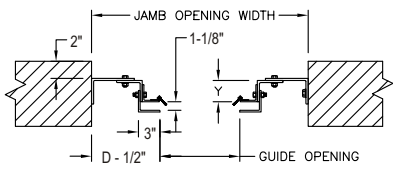


AUTO-TEST MOTOR OPERATED



TYPE 1 GUIDE MASONRY TYPE 2 GUIDE STEEL

FACE OF WALL GUIDES

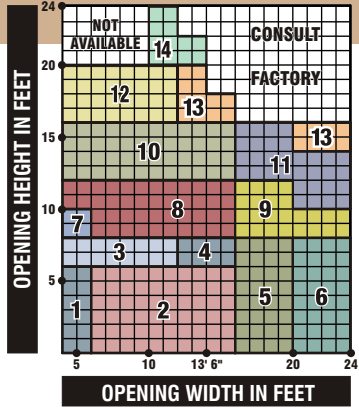


BETWEEN JAMB GUIDES



#45 SLAT

DIMENSIONS FOR TYPICAL DETAILS



AREA	COMPONENT DIMENSIONS						
	A	B	C	D	F	W	Y
1	16.0"	17.0"	6.5"	9.5"	9.0"	2.5"	2.5"
2	16.0"	17.0"	6.5"	9.5"	9.0"	2.5"	3.0"
3	16.0"	17.0"	6.5"	9.5"	9.0"	2.5"	3.5"
4	16.0"	17.0"	6.5"	9.5"	19.0"	2.5"	3.5"
5	16.0"	17.0"	6.5"	9.5"	6.0"	2.5"	2.5"
6	16.0"	17.0"	6.5"	9.5"	6.0"	2.5"	3.0"
7	18.0"	19.0"	6.5"	9.5"	8.0"	3.0"	3.5"
8	18.0"	19.0"	6.5"	9.5"	18.0"	3.0"	3.5"
9	18.0"	19.0"	6.5"	9.5"	5.0"	3.0"	3.5"
10	20.0"	21.0"	6.5"	9.5"	17.0"	3.0"	4.0"
11	20.0"	21.0"	6.5"	9.5"	6.0"	3.0"	3.5"
12	22.0"	23.0"	6.5"	9.5"	3.0"	3.0"	4.0"
13	22.0"	23.0"	6.5"	9.5"	5.0"	3.0"	4.0"
14	24.0"	23.0"	6.5"	9.5"	4.0"	3.0"	5.0"